

# 1-057SL Quarter-Turn Pr14.1 L13.5 SNAP-LINE

Tool-less installation, Tool operable, Optional pre-assembly

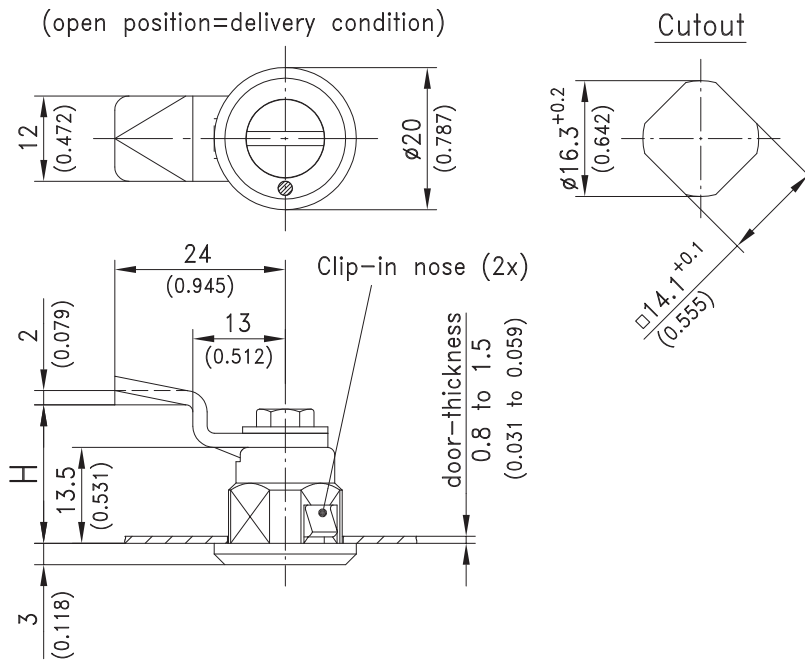
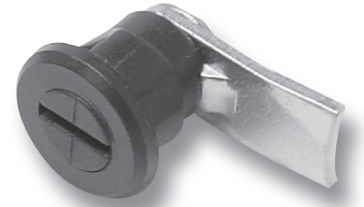


## Product Notes:

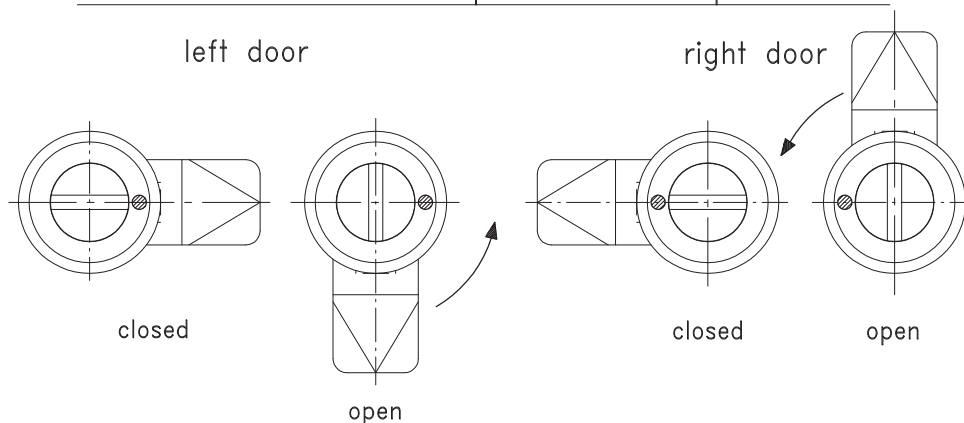
- Pre-assembled Quarter-Turn can be installed in cutout
- RH and LH application
- The 2 clip-in ramps (refer to drawing) must move in towards the insert. This is only possible in the position (OPEN) as supplied from DIRAK
- In the "CLOSED" position the 2 clip-in ramps can NOT move inwards
- Fasten to panel with clip

## Material:

- **Housing:** PA, Black
- **Insert:** PA, Black
- **Hexagon head screw:** Stainless Steel
- **Cam:** Steel, Zinc Plated



installation instruction for pre-assembled quarter-turn



a) Housing with insert Slotted 2x4mm deep	Part No.	See Page
	220-9701	
b) Cam H in mm		
7.5	220-0503	
13.5	220-0501	
19.5	220-0502	
Special cams		01.100
c) Assembling (always in open condition)	220-0008	